

www.hazalguvenlik.net



Surface Mount Hydraulic Mobil Road Blocker

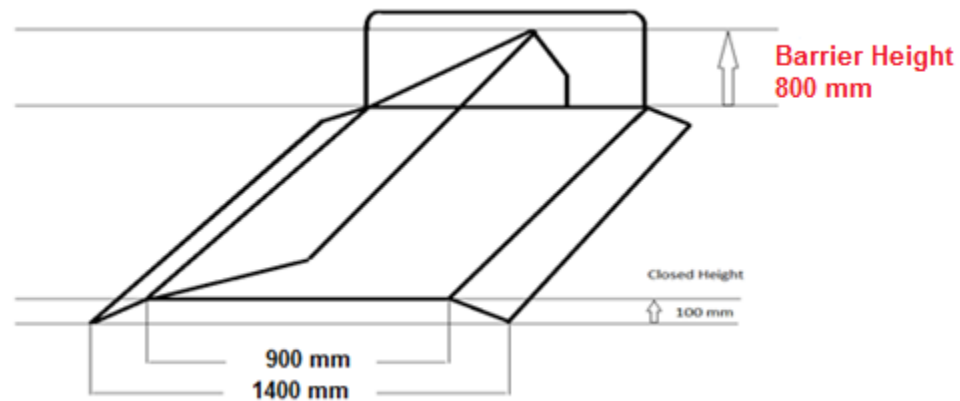
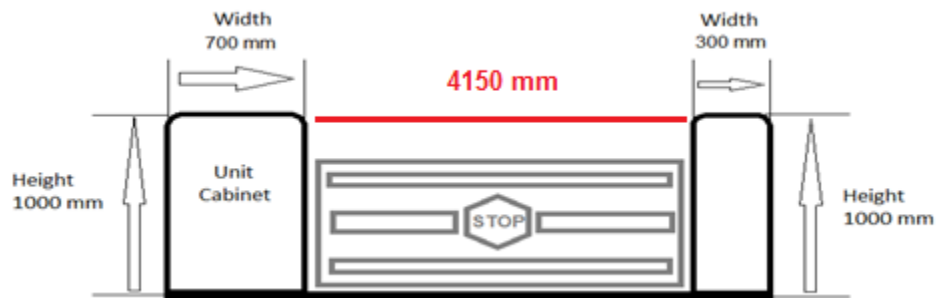
Data Sheet

www.hazalguvenlik.net

Surface Mount Hydraulic Mobil Road Blocker



Length / Height when raised	4150 mm / 800 mm
Depth	Zero
Weight (approximately)	1400 kg
Axle load	22 tons
Top plate	20 mm Plain, painted to yellow with black stripes
Type of steel	S235/RAEX250-Quality 37 minimum
Red/green LED traffic light	Available, 100mm diameter, steel post 2 mt height
Transport System	Vehicle Axle 2 Wheels (Optional)
Power	380 V, 3 Phase, 50-60 Hz
Power failure	Manual hand pump
Raise lower time	3-5 seconds - in emergency 1.5 seconds (optional)
Desktop keyboard	Raise, lower, emergency stop, key operated, 'keyboard in use' light indicator
Controller Type	PLC Electronic Control Unit
Loop detector	This detector is used for safety
Power Back-up system (options)	Hydraulic accumulator, DC motor and batteries, UPS
Cabinet	IP 65 with continuous ventilation
Motor Power	Min 4 KW, 1500 rpm
Environmental conditions	-20 °C and +75 °C



www.hazalguvenlik.net



Doğuş Mah Ballıbaşa Sok No : 67/3 K.Esat / Çankaya / ANKARA
Tlf : + 90 312 478 2028 – + 90 312 482 0484
www.hazalguvenlik.net - info@hazalguvenlik.net

www.hazalguvenlik.net